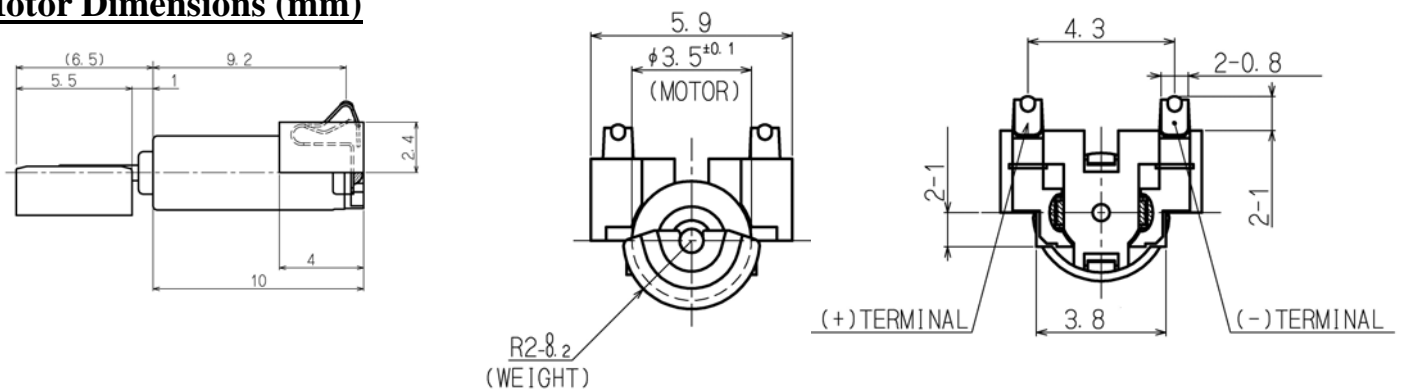




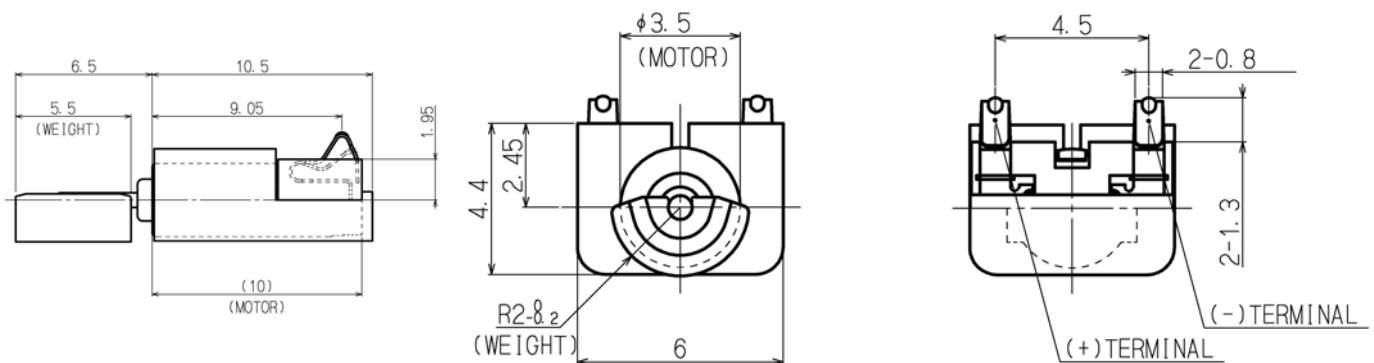
- Low Profile
- Optional rubber boot
- Available 1.3 or 3.0Vdc

Model Number	Rated Voltage (Vdc)	Rated Speed (rpm)	Rated Current (mA)	Starting Voltage (Vdc)	Accel Force (G)	Motor Length (mm)	Overall Length (mm)
LA3R5-448	1.3	10,000	95	0.90	1.00	8	14.5
LA3R5-448B	3.0	11,500	110	1.30	1.10	8	14.5

### Motor Dimensions (mm)



### Motor Dimensions with Rubber Boot (mm)



NIDEC COPAL GmbH

Charlotten Str. 51, 40210 Duesseldorf, Germany

Phone: 49-211-550-469-0

Fax: 49-211-550-469-29

URL <http://www.nidec-copal.de/>