

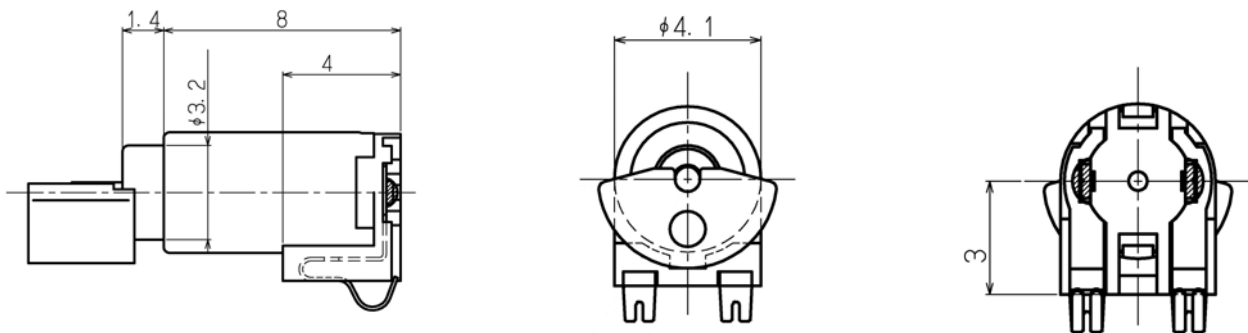
# COPAL LA4-459 SERIES 4mm Vibration Motor



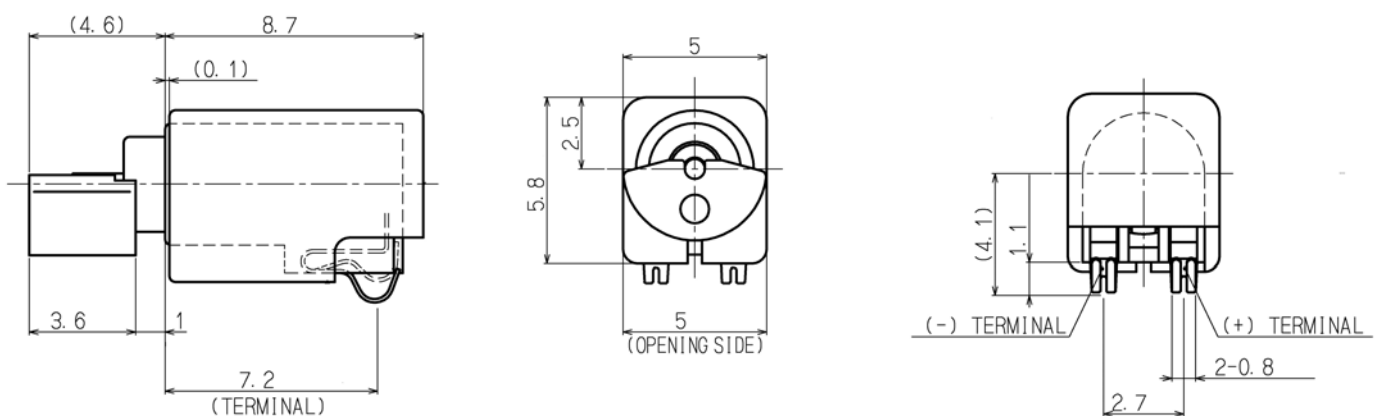
- Compact design – Only 12.5mm long
- Low Current
- Higher Speed – Greater vibration

Model	Rated Voltage (Vdc)	Rated Speed min (rpm)	Rated Current (mA)	Starting Voltage (Vdc)	Accel Force (G)	Overall Length (mm)	Motor Length (mm)
LA4-459AB	3.0	11,500	52	1.40	1.10	12.5	8.05

## Outline Dimensions (mm)



## Outline Dimensions with rubber boot (mm)



NIDEC COPAL GmbH

Charlotten Str. 51, 40210 Duesseldorf, Germany

Phone: 49-211-550-469-0

Fax: 49-211-550-469-29

URL <http://www.nidec-copal.de/>