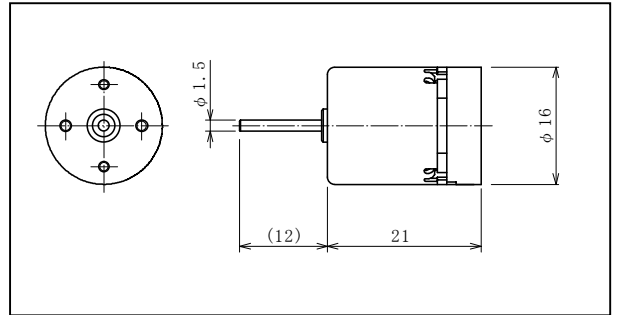


COPAL

LB16B

12VDC Brushless Motor



Case :Metal
 Bearing :Sleeve Bearing
 Protection :FG
 Operating Temp :0°C~50°C
 Net Weight :13g

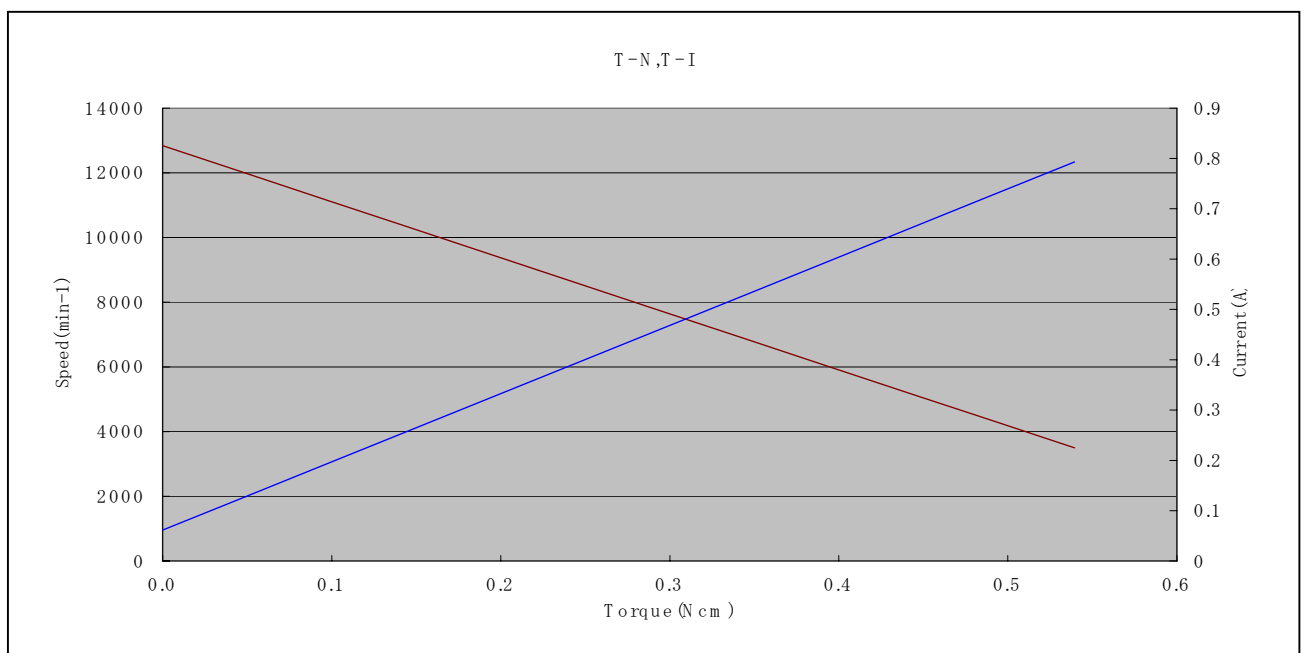
Major Characteristic Parameters (Reference)

Rated Voltage (Vdc)	Operating Voltage (Vdc)	Rated Torque		Load Range (N-cm)	Rotation
		oz-in	N-cm		
12	10.8~13.2	.28	.2	0~0.5	CW, CCW

No-Load Speed (min ⁻¹)	Rated Speed (min ⁻¹)	No-Load Current (mA)	Rated Current (mA)	Starting Torque		Starting Current (mA)	Sound Level (dBA)
				oz-in	N-cm		
13,000	9,500	100	350	.71	.5	800	45

Sound levels measured at 0.3 meter from the Motor Case.

● Performance Curves



Input / Output Signal

Wire No.	Item	Standard	Wire Color
1	GND		Black
2	VM (Motor Power)	3.5~13.2VDC (Motor Speed Control)	Gray
3	Vcc	12VDC (10.8~13.2VDC)	Red
4	CW/CCW	H (Vcc) : CW, L (GND) : CCW	Green
5	FG	P-P : GND to Vcc 4 P/R Square wave signal	Yellow

NIDEC COPAL GmbH

Charlotten Str. 51, 40210 Duesseldorf, Germany

Phone: 49-211-550-469-0

Fax: 49-211-550-469-29

URL <http://www.nidec-copal.de/>