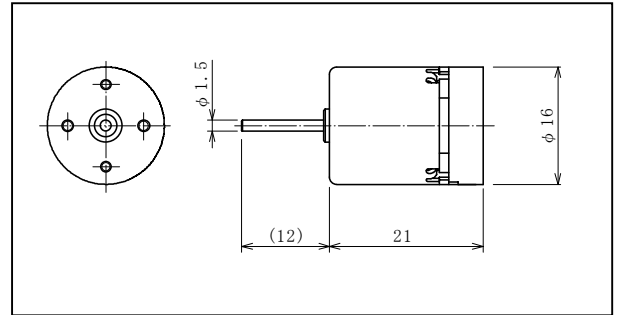


# COPAL

## LB16A

### 6 VDC Brushless Motor



Case :Metal  
 Bracket :Plastic  
 Bearing :Sleeve Bearing  
 Protection :FG  
 :Current Limitation  
 Operating Temp :0°C~50°C  
 Net Weight :13g

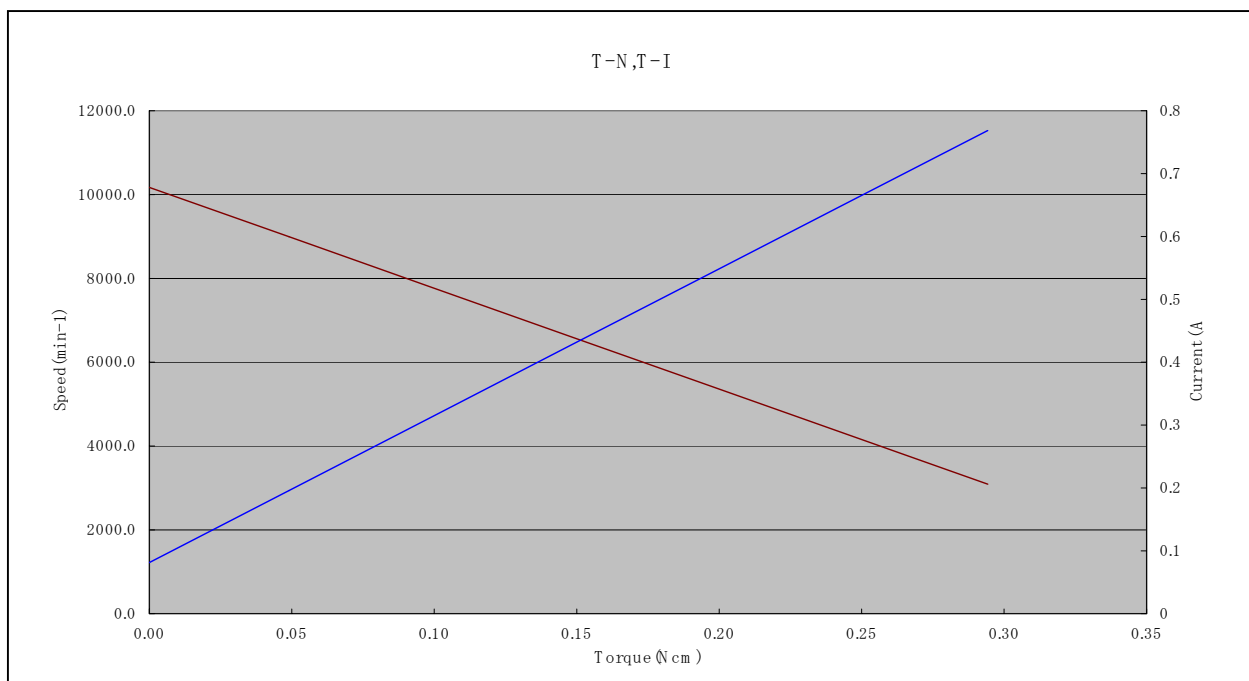
#### Major Characteristic Parameters (Reference)

Rated Voltage (Vdc)	Operating Voltage (Vdc)	Rated Torque		Load Range (N-cm)	Rotation
		oz-in	N-cm		
6	5.4~6.6	.21	0.15	0~0.25	CW, CCW

No-Load Speed (min <sup>-1</sup> )	Rated Speed (min <sup>-1</sup> )	No-Load Current (mA)	Rated Current (mA)	Starting Torque		Starting Current (mA)	Sound Level (dBA)
				oz-in	N-cm		
10000	6600	100	450	.35	.25	800	42

Sound levels measured at 0.3 meters from the Motor Case.

#### ● Performance Curves



## Input / Output Signal

Wire No.	Item	Standard	Wire Color
1	GND		Black
2	VM (Motor Power)	3.5~6.6VDC (Motor Speed Control)	Gray
3	Vcc	6VDC (5.4~6.6VDC)	Red
4	CW/CCW	H (Vcc) : CW, L (GND) : CCW	Green
5	FG	P-P : GND to Vcc 4 P/R Square wave signal	Yellow

NIDEC COPAL GmbH

Charlotten Str. 51, 40210 Duesseldorf, Germany

Phone: 49-211-550-469-0

Fax: 49-211-550-469-29

URL <http://www.nidec-copal.de/>