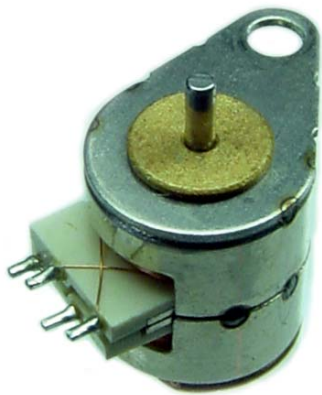
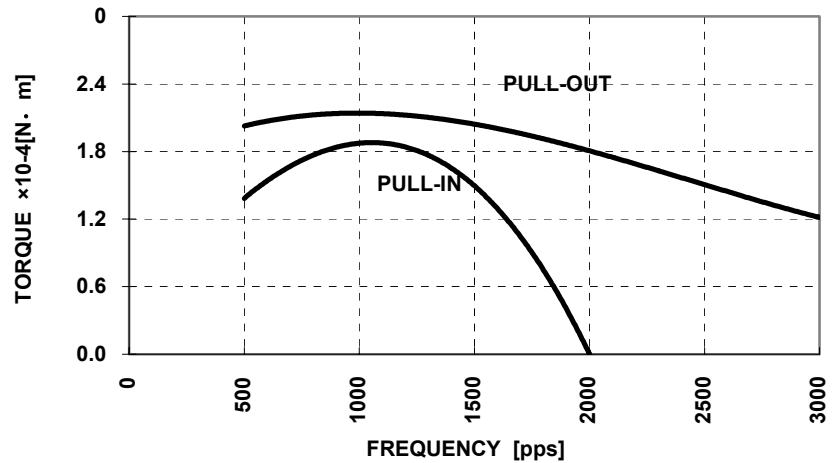


COPAL LPD6 6mm Stepping Motor

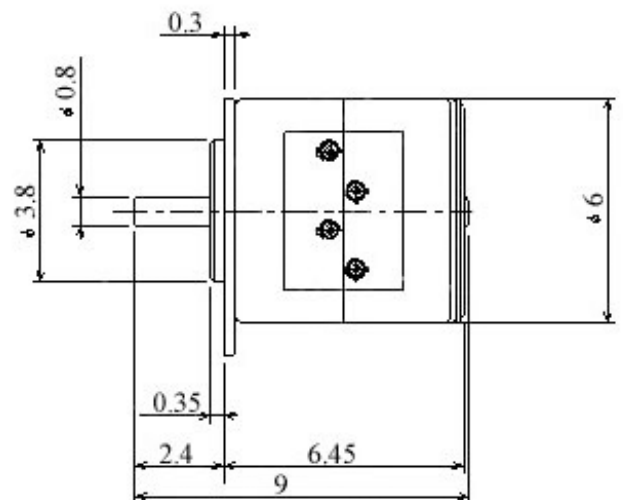
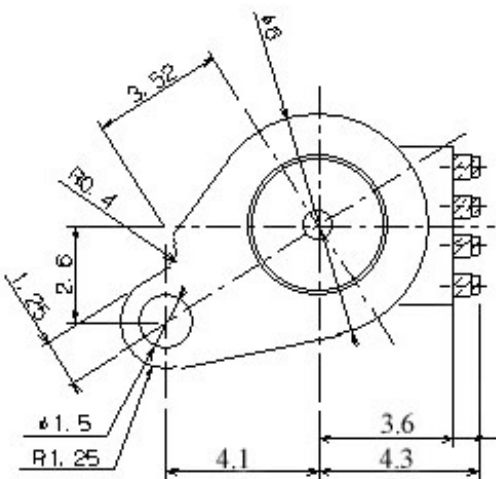


LPD6-001 Curve



Motor Performance (Reference)

Model	Terminal Resistance	Rated Voltage V	Step Angle (°)	Pull-In Pulse Rate pps	Pull-out Pulse Rate pps	Holding Torque		Pull-in Torque 500pps		Pull-out Torque 500pps	
						oz-in	g-cm	oz-in	g-cm	oz-in	g-cm
LPD6	20.0	3	18	2000		0.028	2.07	0.02	1.41	0.028	2.06



NIDEC COPAL GmbH

Charlotten Str. 51, 40210 Duesseldorf, Germany

Phone: 49-211-550-469-0

Fax: 49-211-550-469-29

URL <http://www.nidec-copal.de/>

All dimensions in millimeters